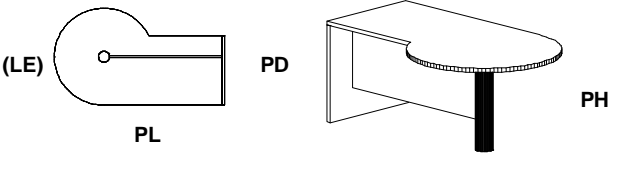
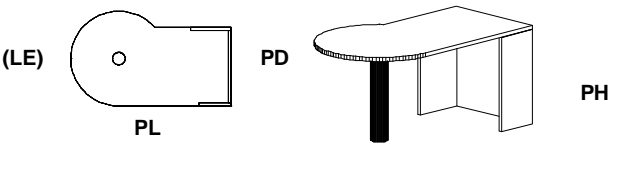
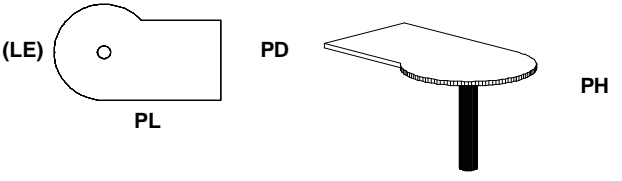
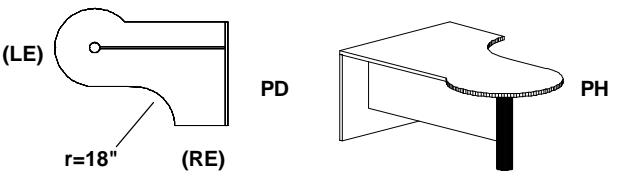
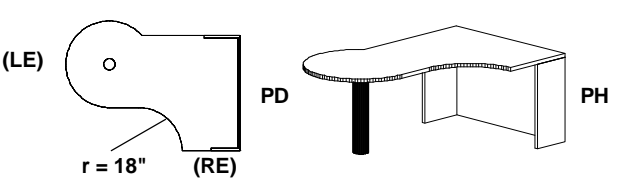
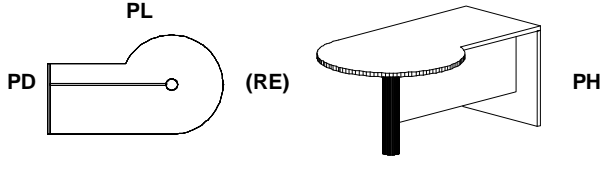
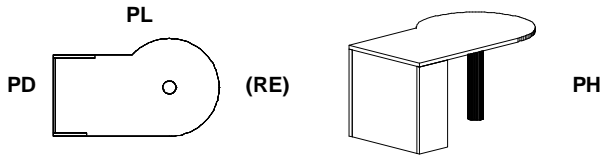
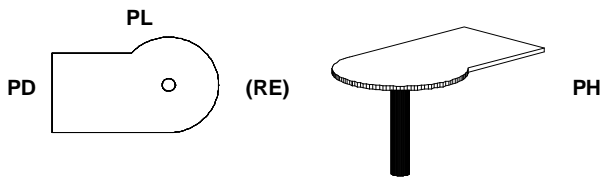
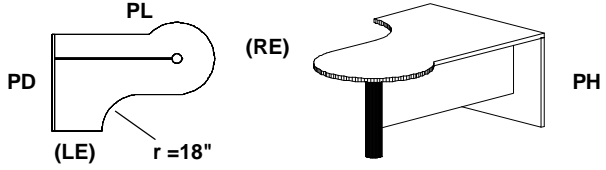
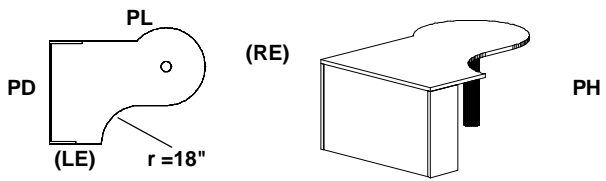


P and Q Sections

	<p>Standard "P" Section</p> <p>Spec. Ps - "(LE),PD,PL" (LE) = 30" to 48" (LE=PD + 6" or 12") PD=24 to 36 (PD=LE-6" or -12") PL=48 to 84 PH = 29"</p>
	<p>No Modesty Panel</p> <p>Spec. PsNM - "(LE),PD,PL" (LE) = 30" to 48" (LE=PD + 6" or 12") PD=24 to 36 (PD=LE-6" or -12") PL=48 to 84 PH = 29"</p>
	<p>Linking</p> <p>Spec. PsL - "(LE),PD,PL" (LE) = 30" to 48" (LE=PD + 6" or 12") PD=24 to 36 (PD=LE-6" or -12") PL=48 to 60 PH = 29"</p>
	<p>Extended - Curved</p> <p>Spec. PsE - "(LE),PD,PL,(RE)" (LE) = 36" to 42" PD=42" to 54" (PD=LE +18" - 6" or 12") PL=60 to 96 (RE) =24" to 30" PH = 29"</p>
	<p>Extended - Curved - No Modesty Panel</p> <p>Spec. PsECNM - "(LE),PD,PL,(RE)" (LE) = 36" to 42" PD=42" to 54" (PD=LE +18" - 6" or 12") PL=60 to 96 (RE)=24" to 30" PH = 29"</p>

P and Q Sections - (cont'd)

		<p>Standard "Q" Section</p> <p>Spec. Qs - "PD,PL,(RE)" PD=24 to 36 (PD=LE-6" or -12") PL=48" to 96" (RE) = 30" to 48" (RE= PD + 6" or 12") PH = 29"</p>
		<p>No Modesty Panel</p> <p>Spec. QsNM - "PD,PL,(RE)" PD=24 to 36 (PD=LE-6" or -12") PL=48" to 96" (RE) = 30" to 48" (RE= PD + 6" or 12") PH = 29"</p>
		<p>Linking</p> <p>Spec. QsL - "PD,PL,(RE)" PD=24 to 36 (PD=LE-6" or -12") PL=48" to 66" (RE) = 30" to 48" (RE= PD + 6" or 12") PH = 29"</p>
		<p>Extended - Curved</p> <p>Spec. QsE - "(LE),PD,PL,(RE)" (LE) = 24" to 30" PD=42 to 54" (PD=RE+18"- 6" or 12") PL=60 to 96" (RE) = 36" to 42" PH = 29"</p>
		<p>Extended - Curved - No Modesty Panel</p> <p>Spec. QsECNM - "(LE),PD,PL,(RE)" (LE) = 24" to 30" PD=42 to 54" (PD=RE+18"- 6" or 12") PL=60 to 96" (RE) = 36" to 42" PH = 29"</p>

