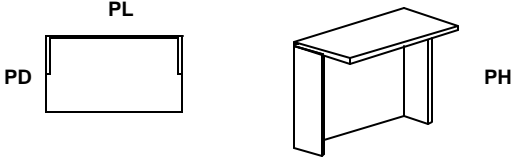
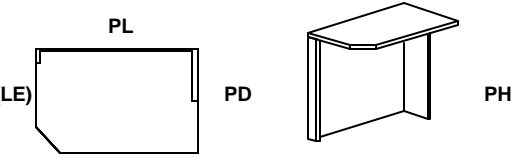
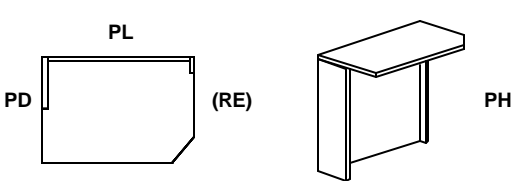
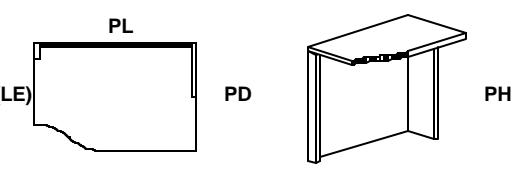
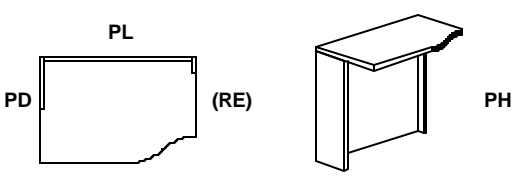
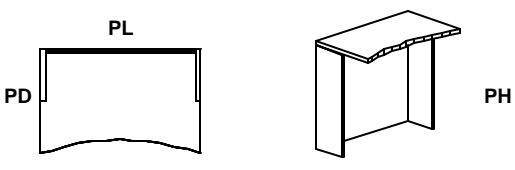


Bridge Sections

		<p>Rectangular</p> <p><b>Spec. Bs - "PD,PL"</b>          PD = 18" to 30"          PL = 24" to 96"          PH = Standard 29"</p>
		<p>Transitional Angled - Right</p> <p><b>Spec. BsAR - "(LE),PD,PL"</b>          (LE)=18" to 24" (LE=PD-6")          PD = 24" to 30"          PL = 24" to 96"          PH = Standard 29"</p>
		<p>Transitional Angled - Left</p> <p><b>Spec. BsAL - "PD,PL,(RE)"</b>          PD = 24" to 30"          PL = 24" to 96"          (RE)=18" to 24" (RE=PD-6")          PH = Standard 29"</p>
		<p>Transitional Curved - Right</p> <p><b>Spec. BsCR - "(LE),PD,PL"</b>          (LE)=18" to 24" (LE=PD-6")          PD = 24" to 30"          PL = 24" to 96"          PH = Standard 29"</p>
		<p>Transitional Curved - Left</p> <p><b>Spec. BsCL - "PD,PL,(RE)"</b>          PD = 24" to 30"          PL = 24" to 96"          (RE)=18" to 24" (RE=PD-6")          PH = Standard 29"</p>
		<p>Arched Front</p> <p><b>Spec. BsAF - "PD,PL"</b>          PD = 21" to 33"          PL = 24" to 96"          PH = Standard 29"</p>