
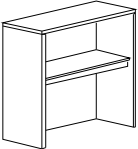

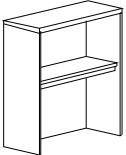

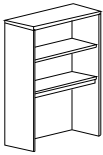

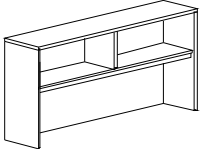

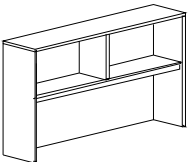

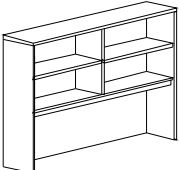
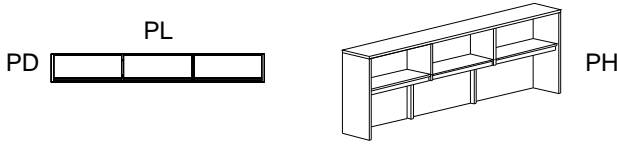
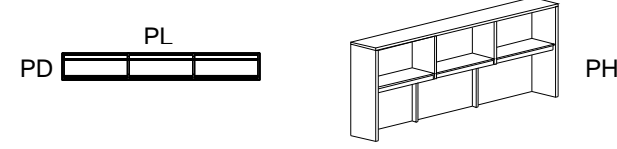
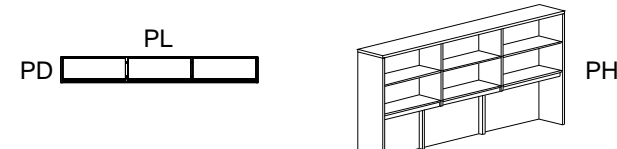





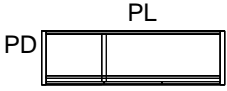
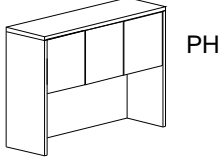
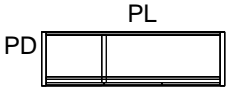
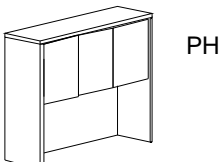
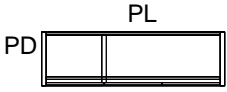
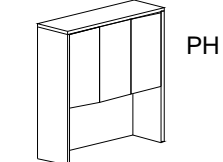

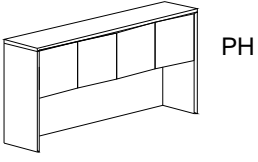

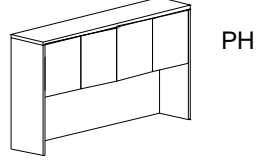

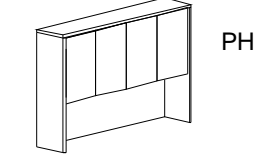
Stacking Storage Units

| | | | | |
|----|---|---|----|--|
| PD |  |  | PH | <p>Stacking Hutches , 37" High, One Opening Spec. HtO1 - 15 , " PL" - 37 PD=All units are 15" deep PL= 30" to 42" PH = 37" Monitor Clearance = 18.5" Book Shelf Clearance = 13.5"</p> |
| PD |  |  | PH | <p>Stacking Hutches , 43" High, One Opening Spec. HtO1 - 15 , " PL" - 43 PD=All units are 15" deep PL= 30" to 42" PH = 43" Monitor Clearance = 21.5" Book Shelf Clearance = 17"</p> |
| PD |  |  | PH | <p>Stacking Hutches , 52" High, One Opening Spec. HtO1Ex - 15 , " PL" - 52 PD=All units are 15" deep PL= 30" to 42" PH = 52" Monitor Clearance = 21.5" Book Shelf Clearance = 2 x 12"</p> |
| PD |  |  | PH | <p>Stacking Hutches , 37" High, Two Openings Spec. HtO2 - 15 , " PL" - 37 PD=All units are 15" deep PL= 45" to 84" PH = 37" Monitor Clearance = 18.5" Book Shelf Clearance = 13.5"</p> |
| PD |  |  | PH | <p>Stacking Hutches , 43" High, Two Openings Spec. HtO2 - 15 , " PL" - 43 PD=All units are 15" deep PL= 45" to 84" PH = 43" Monitor Clearance = 21.5" Book Shelf Clearance = 17"</p> |
| PD |  |  | PH | <p>Stacking Hutches , 52" High, Two Openings Spec. HtO2Ex - 15 , " PL" - 52 PD=All units are 15" deep PL= 45" to 84" PH = 52" Monitor Clearance = 21.5" Book Shelf Clearance = 2 x 12 "</p> |

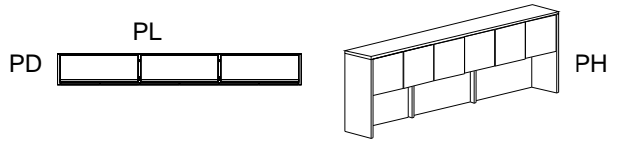
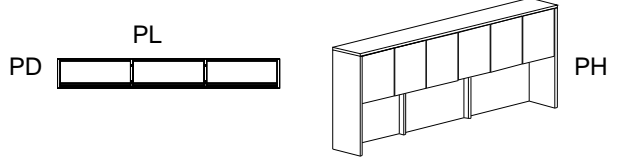
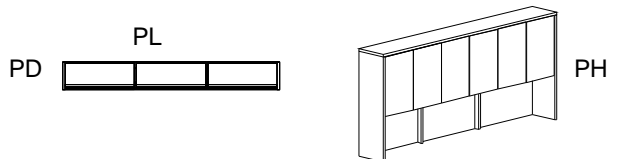
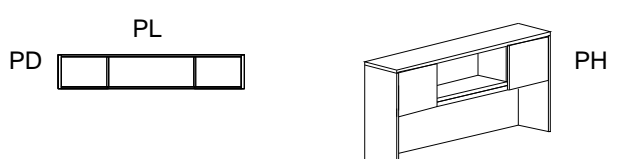
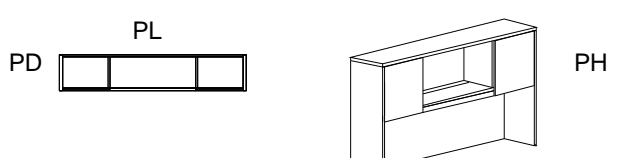
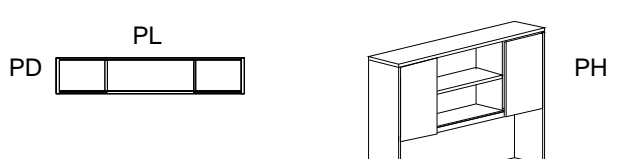
Stacking Storage - (cont'd)

| | |
|---|---|
|  | <p>Stacking Hutches , 37" High, Three Openings Spec. HtO3 - 15 , " PL" - 37 PD=All units are 15" deep PL= 87" to 108" PH = 37" Monitor Clearance = 18.5" Book Shelf Clearance = 13.5"</p> |
|  | <p>Stacking Hutches , 43" High, Three Openings Spec. HtO3 - 15 , " PL" - 43 PD=All units are 15" deep PL= 87" to 108" PH = 43" Monitor Clearance = 21.5" Book Shelf Clearance = 17"</p> |
|  | <p>Stacking Hutches , 52" High, Three Openings Spec. HtO3 - 15 , " PL" - 52 PD=All units are 15" deep PL= 87" to 108" PH = 52" Monitor Clearance = 21.5" Book Shelf Clearance = 2 x 12 "</p> |
|  | <p>Stacking Hutches Closed, 37" High, Two Doors Spec. Ht2D - 15 , " PL" - 37 PD=All units are 15" deep PL= 30" to 42" PH = 39" Monitor Clearance = 18.5" Book Shelf Clearance = 13.5"</p> |
|  | <p>Stacking Hutches , 43" High, Two Doors Spec. Ht2D - 15 , " PL" - 43 PD=All units are 15" deep PL= 30" to 42" PH = 43" Monitor Clearance = 21.5" Book Shelf Clearance = 17"</p> |
|  | <p>Stacking Hutches , 52" High, Two Doors Spec. Ht2DEx - 15 , " PL" - 52 PD=All units are 15" deep PL= 30" to 42" PH = 52" Monitor Clearance = 21.5" Book Shelf Clearance = 2 x 12"</p> |

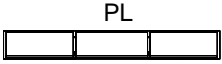
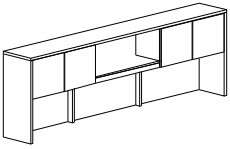
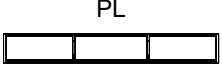
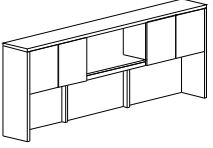
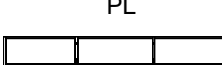
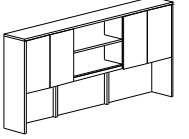
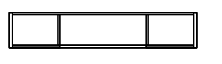
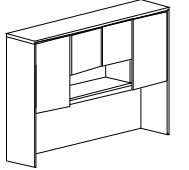

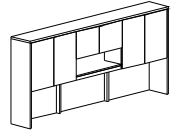
Stacking Storage - (cont'd)

| | | |
|---|---|---|
|  |  | <p>Stacking Hutches Closed, 37" High, Three Doors Spec. Ht3D - 15 , " PL " - 37 PD=All units are 15" deep PL= 45" to 57" PH = 39" Monitor Clearance = 18.5" Book Shelf Clearance = 13.5"</p> |
|  |  | <p>Stacking Hutches ,43" High, Three Doors Spec. Ht3D - 15 , " PL " - 43 PD=All units are 15" deep PL= 45" to 57" PH = 43" Monitor Clearance = 21.5" Book Shelf Clearance = 17"</p> |
|  |  | <p>Stacking Hutches , 52" High, Three Doors Spec. Ht3DEx - 15 , " PL " - 52 PD=All units are 15" deep PL= 45" to 57" PH = 52" Monitor Clearance = 21.5" Book Shelf Clearance = 2 x 12"</p> |
|  |  | <p>Stacking Hutches Closed, 37" High, Four Doors Spec. Ht4D - 15 , " PL " - 37 PD=All units are 15" deep PL= 60" to 84" PH = 37" Monitor Clearance = 18.5" Book Shelf Clearance = 13.5"</p> |
|  |  | <p>Stacking Hutches ,43" High, Four Doors Spec. Ht4D - 15 , " PL " - 43 PD=All units are 15" deep PL= 60" to 84" PH = 43" Monitor Clearance = 21.5" Book Shelf Clearance = 17"</p> |
|  |  | <p>Stacking Hutches , 52" High, Four Doors Spec. Ht4DEx - 15 , " PL " - 52 PD=All units are 15" deep PL= 60" to 84" PH = 52" Monitor Clearance = 21.5" Book Shelf Clearance = 2 x 12"</p> |


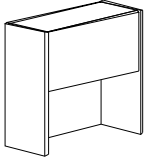

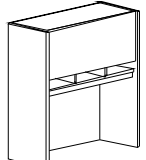
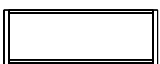
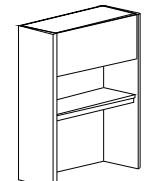

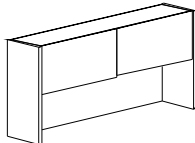

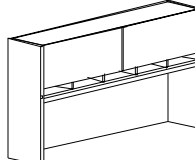
Stacking Storage - (cont'd)

| | |
|--|---|
|  | <p>Stacking Hatches Closed, 37" High, Six Doors Spec. Ht6D - 15 , " PL" - 37 PD=All units are 15" deep PL= 87" to 108" PH = 37" Monitor Clearance = 18.5" Book Shelf Clearance = 13.5"</p> |
|  | <p>Stacking Hatches ,43" High, Six Doors Spec. Ht6D - 15 , " PL" - 43 PD=All units are 15" deep PL= 87" to 108" PH = 43" Monitor Clearance = 21.5" Book Shelf Clearance = 17"</p> |
|  | <p>Stacking Hatches , 52" High, Six Doors Spec. Ht6DEx - 15 , " PL" - 52 PD=All units are 15" deep PL= 87" to 108" PH = 52" Monitor Clearance = 21.5" Book Shelf Clearance = 2 x 12"</p> |
|  | <p>Stacking Hatches , 37" High, Two Doors, Open Centre Spec. Ht2DOC - 15 , " PL" - 37 PD=All units are 15" deep PL= 60" to 84" PH = 37" Monitor Clearance = 18.5" Book Shelf Clearance = 13.5"</p> |
|  | <p>Stacking Hatches , 43" High, Two Doors, Open Centre Spec. Ht2DOC - 15 , " PL" - 43 PD=All units are 15" deep PL= 60" to 84" PH = 43" Monitor Clearance = 18.5" Book Shelf Clearance = 17"</p> |
|  | <p>Stacking Hatches , 52" High, Two Doors, Open Centre Spec. Ht2DOCEX - 15 , " PL" - 52 PD=All units are 15" deep PL= 60" to 84" PH = 52" Monitor Clearance = 18.5" Book Shelf Clearance = 2 x 12"</p> |


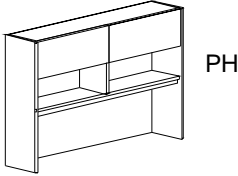

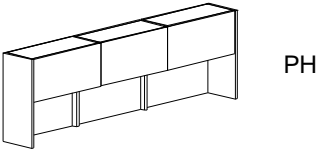

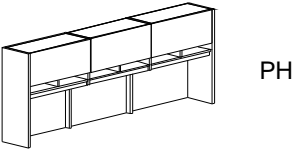

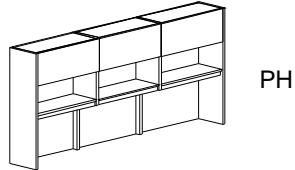
Stacking Storage - (cont'd)

| | | | |
|---|---|----|---|
|  |  | PH | <p>Stacking Hutches , 37" High, Four Doors, Open Centre Spec. Ht4DOC - 15 , " PL" - 37 PD=All units are 15" deep PL= 87" to 108" PH = 37" Monitor Clearance = 18.5" Book Shelf Clearance = 13.5"</p> |
|  |  | PH | <p>Stacking Hutches , 43" High, Four Doors, Open Centre Spec. Ht4DOC - 15 , " PL" - 43 PD=All units are 15" deep PL= 87" to 108" PH = 43" Monitor Clearance = 18.5" Book Shelf Clearance = 17"</p> |
|  |  | PH | <p>Stacking Hutches , 52" High, Four Doors, Open Centre Spec. Ht4DOCEX - 15 , " PL" - 52 PD=All units are 15" deep PL= 87" to 108" PH = 52" Monitor Clearance = 18.5" Book Shelf Clearance = 2 x 12"</p> |
|  |  | PH | <p>Stacking Hutches , 52" High, Four Doors, Half Open Centre Spec. Ht4DHOCEX - 15 , " PL" - 52 PD=All units are 15" deep PL= 60" to 84" PH = 52" Monitor Clearance = 18.5" Book Shelf Clearance = 2 x 12"</p> |
|  |  | PH | <p>Stacking Hutches , 52" High, Four Doors, Half Open Centre Spec. Ht6DHOCEX - 15 , " PL" - 52 PD=All units are 15" deep PL= 87" to 108" PH = 52" Monitor Clearance = 18.5" Book Shelf Clearance = 2 x 12"</p> |

Stacking Storage - (cont'd)

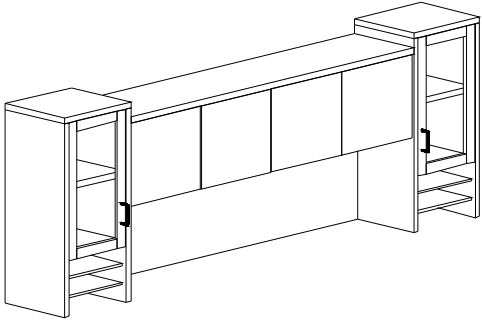
| | | | |
|---|---|-----------|--|
| <p>PD</p>  |  | <p>PH</p> | <p>Stacking Hutches, 37" High, One Flipper Door Spec. Ht1F - 15 , " PL " - 37 PD=All units are 15" deep PL= 30" to 48" PH = 39" Monitor Clearance = 18.5" Book Shelf Clearance = 14"</p> |
| <p>PD</p>  |  | <p>PH</p> | <p>Stacking Hutches, 43" High, One Flipper Door, Paper Slots Spec. Ht1FPS - 15 , " PL " - 43 PD=All units are 15" deep PL= 30" to 48" PH = 43" Monitor Clearance = 21.5" Book Shelf Clearance = 12.5"</p> |
| <p>PD</p>  |  | <p>PH</p> | <p>Stacking Hutches , 52" High, One Door, One Shelf Spec. Ht1FEx - 15 , " PL " - 52 PD=All units are 15" deep PL= 30" to 48" PH = 52" Monitor Clearance = 21.5" Book Shelf Clearance = 2 x 12"</p> |
| <p>PD</p>  |  | <p>PH</p> | <p>Stacking Hutches, 37" High, Two Flipper Doors Spec. Ht2F - 15 , " PL " - 37 PD=All units are 15" deep PL= 51" to 84" PH = 39" Monitor Clearance = 18.5" Book Shelf Clearance = 14"</p> |
| <p>PD</p>  |  | <p>PH</p> | <p>Stacking Hutches, 43" High, Two Flipper Doors Spec. Ht2FPS - 15 , " PL " - 43 PD=All units are 15" deep PL= 51" to 84" PH = 43" Monitor Clearance = 21.5" Book Shelf Clearance = 12.5"</p> |

Stacking Storage - (cont'd)

| | | |
|---|---|---|
|  |  | <p>Stacking Hutches , 52" High, Two Flipper Doors Spec. Ht2FEx - 15 , " PL" - 52 PD=All units are 15" deep PL= 51" to 84" PH = 52" Monitor Clearance = 21.5" Book Shelf Clearance = 2 x 12"</p> |
|  |  | <p>Stacking Hutches, 37" High, Three Flipper Doors Spec. Ht3F - 15 , " PL" - 37 PD=All units are 15" deep PL= 87" to 108" PH = 39" Monitor Clearance = 18.5" Book Shelf Clearance = 14"</p> |
|  |  | <p>Stacking Hutches, 43" High, Three Flipper Doors Spec. Ht3FPS - 15 , " PL" - 43 PD=All units are 15" deep PL= 87" to 108" PH = 43" Monitor Clearance = 21.5" Book Shelf Clearance = 12.5"</p> |
|  |  | <p>Stacking Hutches , 52" High, Three Flipper Doors Spec. Ht3FEx - 15 , " PL" - 52 PD=All units are 15" deep PL= 87" to 108" PH = 52" Monitor Clearance = 21.5" Book Shelf Clearance = 2 x 12"</p> |

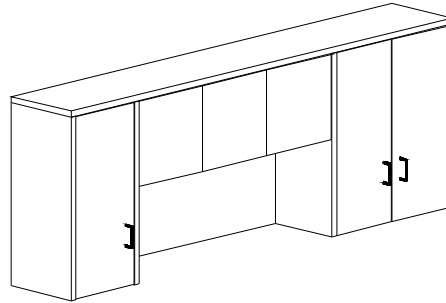
Stacking Storage (Centre Hutches)- (cont'd)

Combined Units with varying heights - common gables



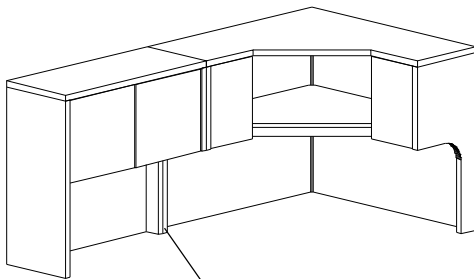
- 1 - HTC4D
- 2 - HtT1PGD

Combined Units with Common Gables and Top 108" Maximum common top length



- 1 - HtC3D
- 1 - HtT1D
- 1 - HtT2D

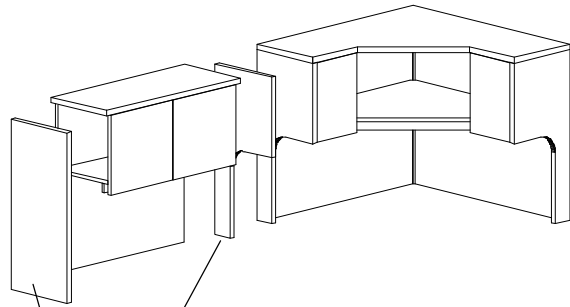
Combined Units with same heights - double gables



- 1 - HtCA2D
- 1 - HtC2D
- 1 - HtFG
- 1 - HtCG

Note: double cutaway gable

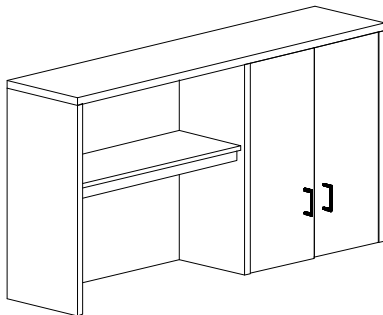
Tops may not be made common



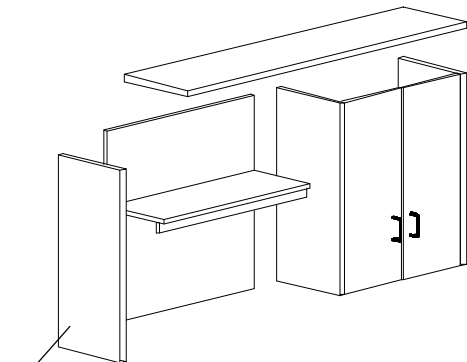
Additional cutaway gable to be ordered as separate item

Additional full gable to be ordered as separate item

Combined unit with common top and gable

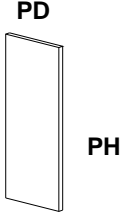
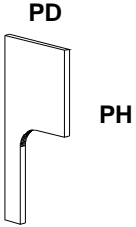


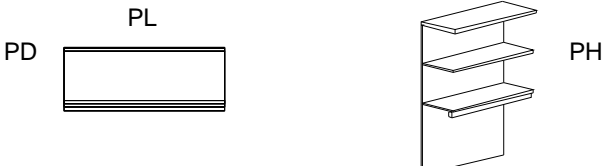


- 1 - HtT2D
- 1 - HtCO1
- 1 - HtFG


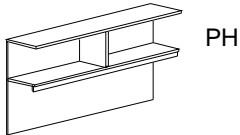

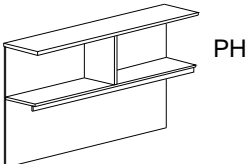

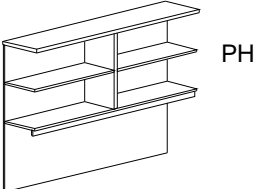

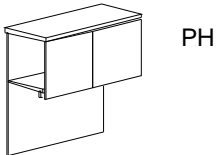
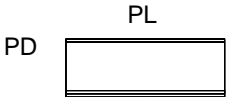
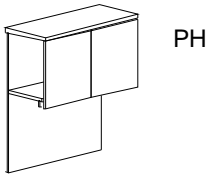

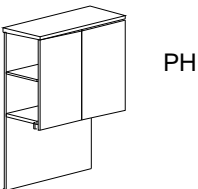


Additional full gable to be ordered as separate item

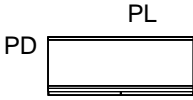
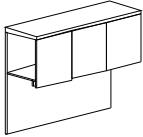
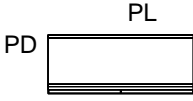
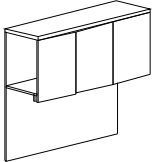
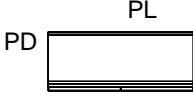
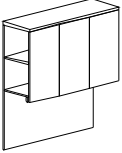

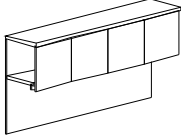

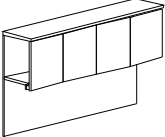

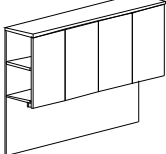
Stacking Storage (Centre Hutches)

| | |
|---|---|
|  | <p>Full Hutch Gable Spec. HtFG - 15 "PH" PD=All units are 15" deep PH = 37", 43", 52"</p> |
|  | <p>Cutaway Hutch Gable Spec. HtCG - 15,- "PH" PD=All units are 15" deep PH = 37", 43", 52"</p> |
|  | <p>Open Centre Hutch, 37" High, One Opening Spec. HtCO1 - 15 , " PL" - 37 PD=All units are 15" deep PL= 30" to 42" PH = 37" Monitor Clearance = 18.5" Book Shelf Clearance = 13.5"</p> |
|  | <p>Open Centre Hutch, 43" High, One Opening Spec. HtCO1 - 15 , " PL" - 43 PD=All units are 15" deep PL= 30" to 42" PH = 43" Monitor Clearance = 21.5" Book Shelf Clearance = 17"</p> |
|  | <p>Open Centre Hutch, 52" High, One Opening Spec. HtCO1Ex - 15 , " PL" - 52 PD=All units are 15" deep PL= 30" to 42" PH = 52" Monitor Clearance = 21.5" Book Shelf Clearance = 2 x 12"</p> |


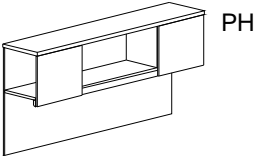
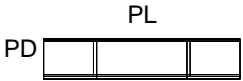
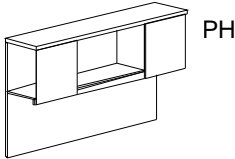

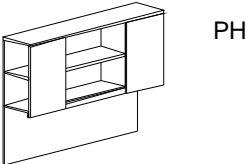

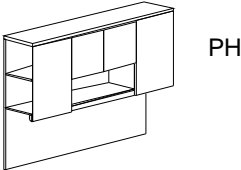
Stacking Storage (Centre Hutches)- (cont'd)

| | | |
|---|---|---|
|  |  | <p>Open Centre Hutch, 37" High, Two Opening Spec. HtCO2 - 15 , " PL" - 37 PD=All units are 15" deep PL= 45" to 84" PH = 37" Monitor Clearance = 18.5" Book Shelf Clearance = 13.5"</p> |
|  |  | <p>Open Centre Hutch, 43" High, Two Opening Spec. HtCO2 - 15 , " PL" - 43 PD=All units are 15" deep PL= 45" to 84" PH = 43" Monitor Clearance = 21.5" Book Shelf Clearance = 17"</p> |
|  |  | <p>Open Centre Hutch, 52" High, Two Opening Spec. HtCO2Ex - 15 , " PL" - 52 PD=All units are 15" deep PL= 45" to 84" PH = 52" Monitor Clearance = 21.5" Book Shelf Clearance = 2 x 12"</p> |
|  |  | <p>Closed Centre Hutch, 37" High, Two Doors Spec. HtC2D - 15 , " PL" - 37 PD=All units are 15" deep PL= 30" to 42" PH = 37" Monitor Clearance = 18.5" Book Shelf Clearance = 13.5"</p> |
|  |  | <p>Closed Centre Hutch, 43" High, Two Doors Spec. HtC2D - 15 , " PL" - 43 PD=All units are 15" deep PL= 30" to 42" PH = 43" Monitor Clearance = 21.5" Book Shelf Clearance = 17"</p> |
|  |  | <p>Closed Centre Hutch, 52" High, Two Doors Spec. HtC2DEx - 15 , " PL" - 52 PD=All units are 15" deep PL= 30" to 42" PH = 52" Monitor Clearance = 21.5" Book Shelf Clearance = 2 x 12"</p> |


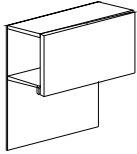

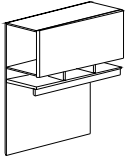

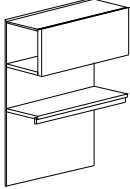

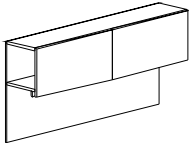
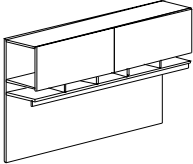
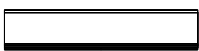
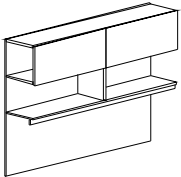
Stacking Storage (Centre Hatches)- (cont'd)

| | | | |
|---|---|----|---|
|  |  | PH | <p>Closed Centre Hatch, 37" High, Three Doors Spec. HtC3D - 15 , " PL" - 37 PD=All units are 15" deep PL= 45" to 57" PH = 37" Monitor Clearance = 18.5" Book Shelf Clearance = 13.5"</p> |
|  |  | PH | <p>Closed Centre Hatch, 43" High, Three Doors Spec. HtC3D - 15 , " PL" - 43 PD=All units are 15" deep PL= 45" to 57" PH = 43" Monitor Clearance = 21.5" Book Shelf Clearance = 17"</p> |
|  |  | PH | <p>Closed Centre Hatch, 52" High, Three Doors Spec. HtC3DEx - 15 , " PL" - 52 PD=All units are 15" deep PL= 45" to 57" PH = 52" Monitor Clearance = 21.5" Book Shelf Clearance = 2 x 12"</p> |
|  |  | PH | <p>Closed Centre Hatch, 37" High, Four Doors Spec. HtC4D - 15 , " PL" - 37 PD=All units are 15" deep PL= 60" to 84" PH = 37" Monitor Clearance = 18.5" Book Shelf Clearance = 13.5"</p> |
|  |  | PH | <p>Closed Centre Hatch, 43" High, Four Doors Spec. HtC4D - 15 , " PL" - 43 PD=All units are 15" deep PL= 60" to 84" PH = 43" Monitor Clearance = 21.5" Book Shelf Clearance = 17"</p> |
|  |  | PH | <p>Closed Centre Hatch, 52" High, Four Doors Spec. HtC4DEx - 15 , " PL" - 52 PD=All units are 15" deep PL= 60" to 84" PH = 52" Monitor Clearance = 21.5" Book Shelf Clearance = 2 x 12"</p> |

Stacking Storage (Centre Hutches)- (cont'd)

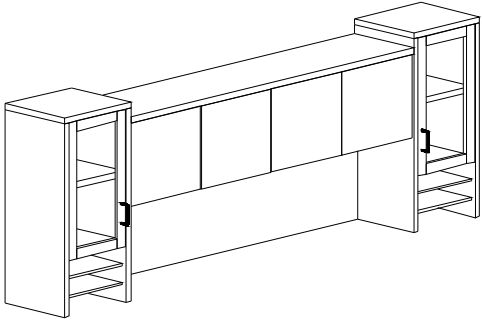
| | | |
|---|---|---|
|  |  | <p>Closed Centre Hutch, 37" High, Two Doors, Open Centre Spec. HtC2DOC - 15 , " PL" - 37 PD=All units are 15" deep PL= 60" to 84" PH = 37" Monitor Clearance = 18.5" Book Shelf Clearance = 13.5"</p> |
|  |  | <p>Closed Centre Hutch, 43" High, Two Doors, Open Centre Spec. HtC2DOC - 15 , " PL" - 43 PD=All units are 15" deep PL= 60" to 84" PH = 43" Monitor Clearance = 21.5" Book Shelf Clearance = 17"</p> |
|  |  | <p>Closed Centre Hutch, 52" High, Two Doors, Open Centre Spec. HtC2DOCEX - 15 , " PL" - 52 PD=All units are 15" deep PL= 60" to 84" PH = 52" Monitor Clearance = 21.5" Book Shelf Clearance = 2 x 12"</p> |
|  |  | <p>Closed Centre Hutch, 52" High, Two Doors, Half Open Centre Spec. HtC4DHOCEX - 15 , " PL" - 52 PD=All units are 15" deep PL= 60" to 84" PH = 52" Monitor Clearance = 21.5" Book Shelf Clearance = 2 x 12"</p> |

Stacking Storage (Centre Hutches)- (cont'd)

| | | | |
|---|---|-----------|---|
| <p>PD</p>  |  | <p>PH</p> | <p>Closed Centre Hutch, 37" High, 1 Flipper Door Spec. HtC1F - 15 , " PL" - 37 PD=All units are 15" deep PL= 30" to 48" PH = 37" Monitor Clearance = 18.5" Book Shelf Clearance = 14"</p> |
| <p>PD</p>  |  | <p>PH</p> | <p>Closed Centre Hutch, 43" High, 1 Flipper Door, Paper slots Spec. HtC1FPS - 15 , " PL" - 43 PD=All units are 15" deep PL= 30" to 48" PH = 43" Monitor Clearance = 21.5" Book Shelf Clearance = 12.5"</p> |
| <p>PD</p>  |  | <p>PH</p> | <p>Closed Centre Hutch, 52" High, 1 Flipper Door, 1 Shelf Spec. HtC1FEx - 15 , " PL" - 52 PD=All units are 15" deep PL= 30" to 48" PH = 52" Monitor Clearance = 21.5" Book Shelf Clearance = 2 x 12"</p> |
| <p>PD</p>  |  | <p>PH</p> | <p>Closed Centre Hutch, 37" High, 2 Flipper Doors Spec. HtC2F - 15 , " PL" - 37 PD=All units are 15" deep PL= 51" to 84" PH = 37" Monitor Clearance = 18.5" Book Shelf Clearance = 14"</p> |
| <p>PD</p>  |  | <p>PH</p> | <p>Closed Centre Hutch, 43" High, 2 Flipper Doors, Paper slots Spec. HtC2FPS - 15 , " PL" - 43 PD=All units are 15" deep PL= 51" to 84" PH = 43" Monitor Clearance = 21.5" Book Shelf Clearance = 12.5"</p> |
| <p>PD</p>  |  | <p>PH</p> | <p>Closed Centre Hutch, 52" High, 2 Flipper Doors, 1 Shelf Spec. HtC2FEx - 15 , " PL" - 52 PD=All units are 15" deep PL= 51" to 84" PH = 52" Monitor Clearance = 21.5" Book Shelf Clearance = 2 x 12"</p> |

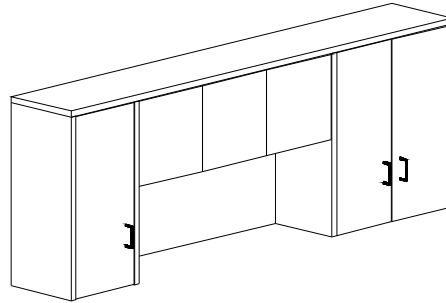
Stacking Storage (Centre Hutches)- (cont'd)

Combined Units with varying heights - common gables



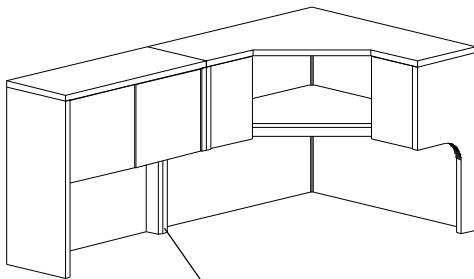
- 1 - HTC4D
- 2 - HtT1PGD

Combined Units with Common Gables and Top 108" Maximum common top length



- 1 - HtC3D
- 1 - HtT1D
- 1 - HtT2D

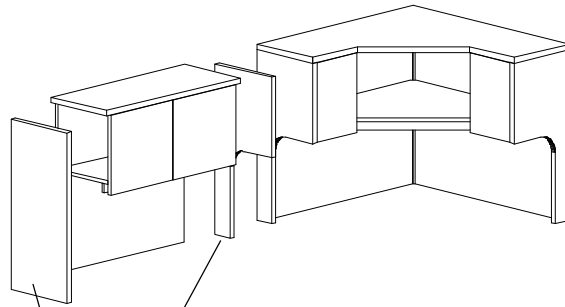
Combined Units with same heights - double gables



- 1 - HtCA2D
- 1 - HtC2D
- 1 - HtFG
- 1 - HtCG

Note: double cutaway gable

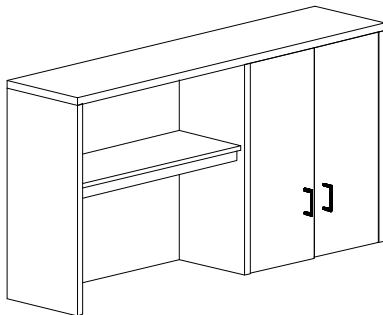
Tops may not be made common



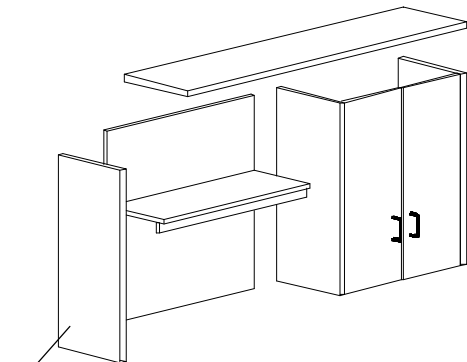
Additional cutaway gable to be ordered as separate item

Additional full gable to be ordered as separate item

Combined unit with common top and gable

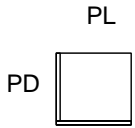
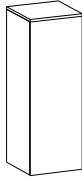
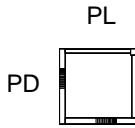
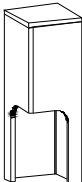
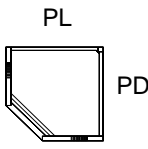
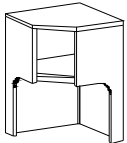
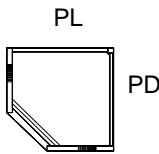
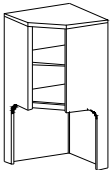
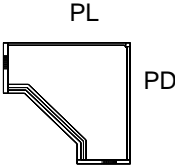
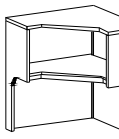
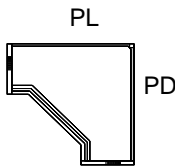
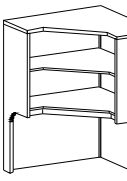


- 1 - HtT2D
- 1 - HtCO1
- 1 - HtFG

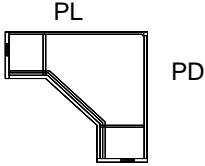
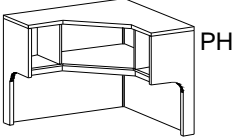
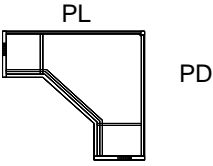
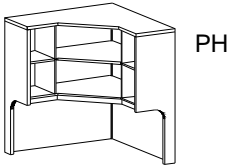
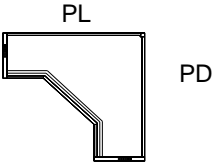
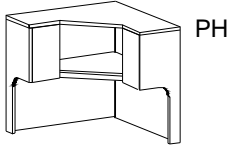
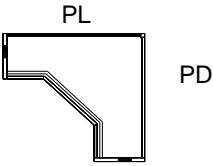
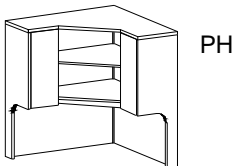
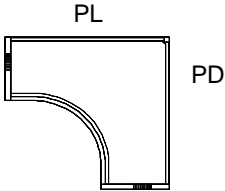
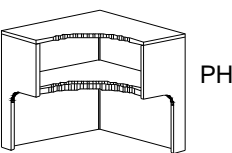
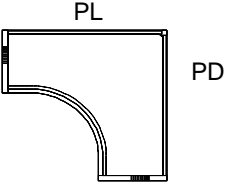
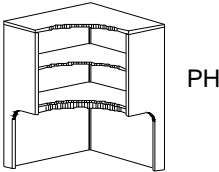


Additional full gable to be ordered as separate item

Stacking Storage (Corner Hutches)- (cont'd)

| | | |
|---|---|---|
|  |  | <p>Corner Pillar Spec. Cpillar - "PH" PD=24" PL= 24" PH = 66 " , 69" , 72" , 75" , 81" , 84"</p> |
|  |  | <p>Hutch Corner Pillar Spec. HtCP - "PH" PD=15" PL= 15" PH = 37" , 40" , 43" , 46" , 52" , 55"</p> |
|  |  | <p>Angled Corner Hutch - Open Spec. HtCA - " PD, PL " - "PH" PD=24" PL= 24" PH = 37" , 40" , 43" , 46"</p> |
|  |  | <p>Angled Corner Hutch - Open - 1 Adj. Shelf Spec. HtCAEx - " PD, PL " - "PH" PD=24" PL= 24" PH = 52" , 55" ,</p> |
|  |  | <p>Angled Corner Hutch - Open Spec. HtCA - " PD, PL " - "PH" PD=30" , 36" PL=30" , 36" PH = 37" , 40" , 43" , 46"</p> |
|  |  | <p>Angled Corner Hutch - Open - 1 Adj. Shelf Spec. HtCAEx - " PD, PL " - "PH" PD=30" , 36" PL=30" , 36" PH = 52" , 55" ,</p> |

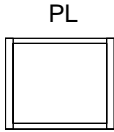
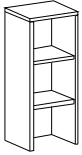
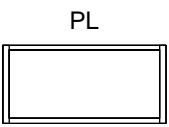
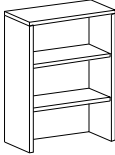
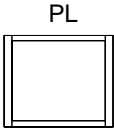
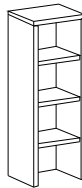
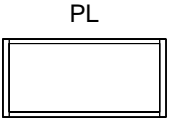
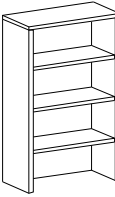
Stacking Storage (Corner Hutches)- (cont'd)

| | | |
|---|---|--|
|  |  | <p>Angled Corner Hutch - Open Spec. HtCA - " PD, PL" - "PH" PD=42", 48" PL= 42", 48" PH = 37", 40", 43", 46"</p> |
|  |  | <p>Angled Corner Hutch - Open - 1 Adj. Shelf Spec. HtCAEx - " PD, PL" - "PH" PD=42", 48" PL= 42", 48" PH = 52", 55"</p> |
|  |  | <p>Angled Corner Hutch - 2 Doors Spec. HtCA2D - " PD, PL" - "PH" PD=42", 48" PL= 42", 48" PH = 37", 40", 43", 46"</p> |
|  |  | <p>Angled Corner Hutch - 2 Doors - 1 Adj. Shelf Spec. HtCA2DEx - " PD, PL" - "PH" PD=42", 48" PL= 42", 48" PH = 52", 55"</p> |
|  |  | <p>Curved Corner Hutch - Open Spec. HtCC - " PD, PL" - "PH" PD= 24", 30", 36" PL= 24", 30", 36" PH = 37", 40", 43", 46"</p> |
|  |  | <p>Curved Corner Hutch - Open - 1 Adj. Shelf Spec. HtCCEx - " PD, PL" - "PH" PD= 24", 30", 36" PL= 24", 30", 36" PH = 52", 55",</p> |

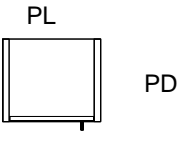
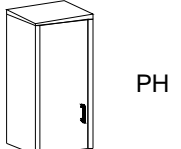
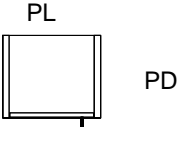
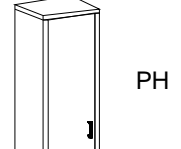
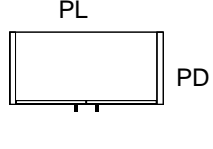
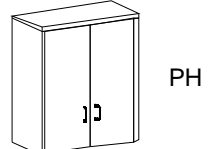
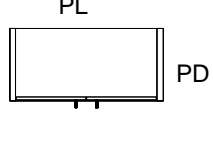
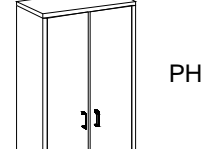
Stacking Storage (Corner Hutches)- (cont'd)

| | | |
|--|--|---|
| | | <p>Curved Corner Hutch - Open Spec. HtCC - " PD, PL" - "PH" PD=42", 48" PL= 42", 48" PH = 37", 40", 43", 46"</p> |
| | | <p>Curved Corner Hutch - Open - 1 Adj. Shelf Spec. HtCCEX - " PD, PL" - "PH" PD=42", 48" PL= 42", 48" PH = 52", 55"</p> |
| | | <p>Curved Corner Hutch - 2 Doors Spec. HtCC2D - " PD, PL" - "PH" PD=42", 48" PL= 42", 48" PH = 37", 40", 43", 46"</p> |
| | | <p>Curved Corner Hutch - 2 Doors - 1 Adj. Shelf Spec. HtCC2DEX - " PD, PL" - "PH" PD=42", 48" PL= 42", 48" PH = 52", 55"</p> |

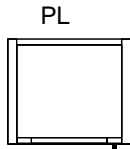
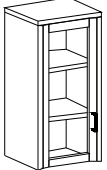
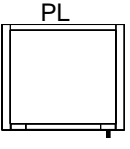
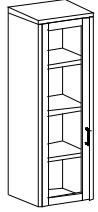
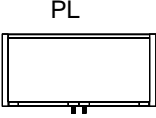
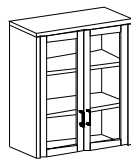

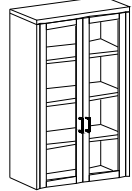
Stacking Storage (Towers)- (cont'd)

| | | | | | |
|---|----|---|----|---|--|
|  | PD |  | PH | Open Tower Hutch - 2 Adjustable Shelves | Spec. (same as next unit) |
|  | PD |  | PH | Open Tower Hutch - 2 Adjustable Shelves | Spec. HtTO - 15, " PD, PL" - "PH" PD = 15" Standard PL= 12" to 36" PH = 37", 40", 43", 46" |
|  | PD |  | PH | Open Tower Hutch - 3 Adjustable Shelves | Spec. (same as next unit) |
|  | PD |  | PH | Open Tower Hutch - 3 Adjustable Shelves | Spec. HtTOEx - 15, " PD, PL" - "PH" PD = 15" Standard PL= 12" to 36" PH = 52", 55" |

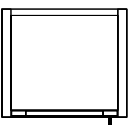
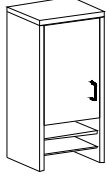
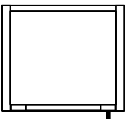
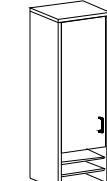
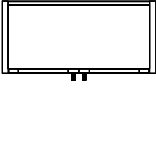
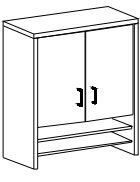
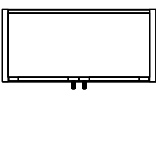
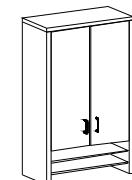
Stacking Storage (Towers)- (cont'd)

| | | |
|---|---|--|
|  |  | <p>Closed Tower Hutch - 2 Adjustable Shelves Spec. HtT1D - 15, "PL" - "PH" PD = 15" Standard PL= 12" to 21" PH = 37", 40", 43", 46"</p> <p>Specify Hinged Left or Right</p> |
|  |  | <p>Closed Tower Hutch - 3 Adjustable Shelves Spec. HtT1DEx - 15, "PL" - "PH" PD = 15" Standard PL= 12" to 21" PH = 52", 55"</p> <p>Specify Hinged Left or Right</p> |
|  |  | <p>Closed Tower Hutch - 2 Adjustable Shelves Spec. HtT2D - 15, "PL" - "PH" PD = 15" Standard PL= 24" to 36" PH = 37", 40", 43", 46"</p> |
|  |  | <p>Closed Tower Hutch - 3 Adjustable Shelves Spec. HtT2DEx - 15, "PL" - "PH" PD = 15" Standard PL= 24" to 36" PH = 52", 55"</p> |

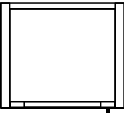
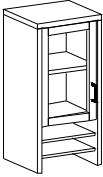
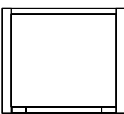
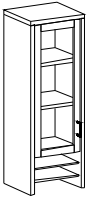
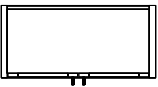
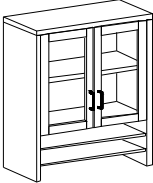

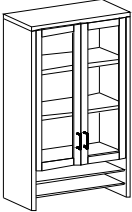
Stacking Storage (Towers)- (cont'd)

| | |
|---|--|
|   | <p>Closed Tower Hutch ,Aluminum Frame ,Glass Doors - 2 Adjustable Shelves Spec. HtT1GD - 15, "PL" - "PH" PD = 15" Standard PL= 12" to 21" PH = 37", 40", 43", 46"</p> <p>Specify Hinged Left or Right</p> |
|   | <p>Closed Tower Hutch ,Aluminum Frame ,Glass Doors - 3 Adjustable Shelves Spec. HtT1GDEx - 15, "PL" - "PH" PD = 15" Standard PL= 12" to 21" PH = 52", 55"</p> <p>Specify Hinged Left or Right</p> |
|   | <p>Closed Tower Hutch ,Aluminum Frame ,2 Glass Doors - 2 Adjustable Shelves Spec. HtT2GD - 15, "PL" - "PH" PD = 15" Standard PL= 24 to 36" PH = 37", 40", 43", 46"</p> |
|   | <p>Closed Tower Hutch ,Aluminum Frame ,2 Glass Doors - 3 Adjustable Shelves Spec. HtT2GDEx - 15, "PL" - "PH" PD = 15" Standard PL= 24 to 36" PH = 52", 55"</p> |


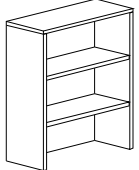

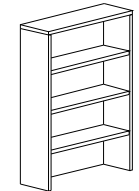
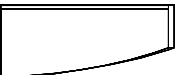
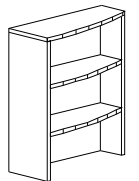

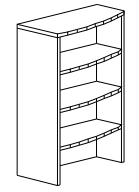
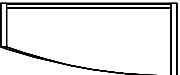
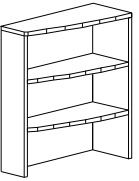

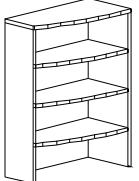
Stacking Storage (Towers)- (cont'd)

| | | |
|---|---|---|
|  |  | <p>Closed Tower Hutch ,1 Partial Door - 1 or 2 Adjustable Shelves, 2 Slots Spec. HtT1PD - 15, "PL" - "PH" PD = 15" Standard PL= 12" to 21" PH = 37", 40", 43", 46"</p> |
| Specify Hinged Left or Right | | |
|  |  | <p>Closed Tower Hutch ,1 Partial Door - 2 or 3 Adjustable Shelves, 2 Slots Spec. HtT1PDEx - 15, "PL" - "PH" PD = 15" Standard PL= 12" to 21" PH = 52", 55"</p> |
| Specify Hinged Left or Right | | |
|  |  | <p>Closed Tower Hutch ,2 Partial Doors - 1 or 2 Adjustable Shelves, 2 Slots Spec. HtT2PD - 15, "PL" - "PH" PD = 15" Standard PL= 24" to 36" PH = 37", 40", 43", 46"</p> |
|  |  | <p>Closed Tower Hutch ,2 Partial Doors - 2 or 3 Adjustable Shelves, 2 Slots Spec. HtT2PDEx - 15, "PL" - "PH" PD = 15" Standard PL= 24" to 36" PH = 52", 55"</p> |


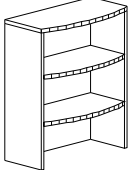

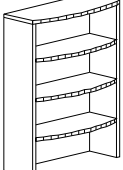
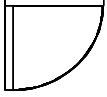
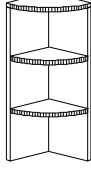
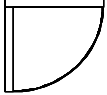
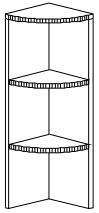
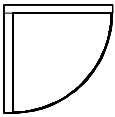
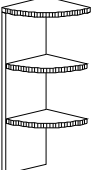
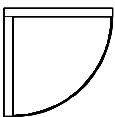
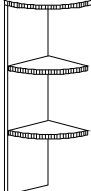
Stacking Storage (Towers)- (cont'd)

| | | | | |
|---|-----------|---|-----------|--|
|  | <p>PD</p> |  | <p>PH</p> | <p>Closed Tower Hutch ,1 Partial Aluminum Framed Door - 1 or 2 Adjustable Shelves, 2 Slots Spec. HtT1PGD - 15, "PL" - "PH" PD = 15" Standard PL= 12" to 21 PH = 37", 40", 43", 46"</p> |
| <p>Specify Hinged Left or Right</p> | | | | |
|  | <p>PD</p> |  | <p>PH</p> | <p>Closed Tower Hutch ,1 Partial Aluminum Framed Door - 2 or 3 Adjustable Shelves, 2 Slots Spec. HtT1PGDEx - 15, "PL" - "PH" PD = 15" Standard PL= 12" to 21 PH = 52", 55"</p> |
| <p>Specify Hinged Left or Right</p> | | | | |
|  | <p>PD</p> |  | <p>PH</p> | <p>Closed Tower Hutch ,2 Partial Aluminum Framed Doors - 1 or 2 Adjustable Shelves, 2 Slots Spec. HtT2PGD - 15, "PL" - "PH" PD = 15" Standard PL= 24" to 36" PH = 37", 40", 43", 46"</p> |
|  | <p>PD</p> |  | <p>PH</p> | <p>Closed Tower Hutch ,2 Partial Aluminum Framed Doors - 2 or 3 Adjustable Shelves, 2 Slots Spec. HtT2PGDEx - 15, "PL" - "PH" PD = 15" Standard PL= 24" to 36" PH = 52", 55"</p> |

Stacking Storage - (cont'd)

| | | | |
|--|---|-----------|--|
| <p>PL</p>  <p>PD</p> |  | <p>PH</p> | <p>Stacking Book Shelf - 2 Adj Shelves Spec. StB3 - "PD,PL" - "PH" PD=12,15,18 PL=30,36 PH = 37, 43</p> |
| <p>PL</p>  <p>PD</p> |  | <p>PH</p> | <p>Stacking Book Shelf - 3 Adj Shelves Spec. StB3Ex - "PD,PL" - "PH" PD=12,15,18 PL=30,36 PH = 52"</p> |
| <p>PL (RE)</p>  <p>PD</p> |  | <p>PH</p> | <p>Stacking Book Shelf - Arched - Left - 2 Adj Shelves Spec. StB3ArL - "PD,PL,(RE) -PH" PD=15, 18, 21 PL=30,36 RE=9,12,15 (RE = PD - 6") PH = 37, 43</p> |
| <p>PL (RE)</p>  <p>PD</p> |  | <p>PH</p> | <p>Stacking Book Shelf - Arched - Left - 3 Adj Shelves Spec. StB3ArLEx - "PD,PL,(RE) -PH" PD=15, 18, 21 PL=30,36 LE=9,12,15 (LE = PD - 6") PH = 52"</p> |
| <p>PL (LE) PD</p>  |  | <p>PH</p> | <p>Stacking Book Shelf - Arched - Right - 2 Adj Shelves Spec. StB3ArR -(LE) "PD,PL, -PH" PD=15, 18, 21 PL=30,36 LE=9,12,15 (LE = PD -6") PH = 37, 43</p> |
| <p>PL (LE) PD</p>  |  | <p>PH</p> | <p>Stacking Book Shelf - Arched - Right - 3 Adj Shelves Spec. StB3ArREx -(LE) "PD,PL, -PH" PD=15, 18, 21 PL=30,36 LE=9,12,15 (LE = PD -6") PH = 52"</p> |

Stacking Storage - (cont'd)

| | | |
|---|---|---|
| <p>PL</p>  <p>PD</p> |  <p>PH</p> | <p>Stacking Book Shelf - Bowed - 2 Adj. Shelves Spec. StB3BF - "PD,PL" - "PH" PD=12,15,18 PL=30,36 PH = 37, 43 Bow is PD+3"</p> |
| <p>PL</p>  <p>PD</p> |  <p>PH</p> | <p>Stacking Book Shelf - Bowed - 3 Adj. Shelves Spec. StB3BFEx - "PD,PL" - "PH" PD=12,15,18 PL=30,36 PH = 52" Bow is PD+3"</p> |
| <p>PL</p>  <p>PD</p> |  <p>PH</p> | <p>Book Shelf - Radiused - 2 Fixed Shelves Spec. StB3C90 - "PD,PL" - "PH" PD=12,15,18 PL=12,15,18 PH = 37, 43</p> |
| <p>PL</p>  <p>PD</p> |  <p>PH</p> | <p>Book Shelf - Radiused - 2 Fixed Shelves Spec. StB3C90Ex - "PD,PL" - "PH" PD=12,15,18 PL=12,15,18 PH = 52"</p> |
| <p>PL</p>  <p>PD</p> |  <p>PH</p> | <p>Book Shelf - Radiused - Linking - 2 Fixed Shelves Spec. StB3C90L - "PD,PL" - "PH" PD=12,15,18 PL=12,15,18 PH = 37, 43</p> |
| <p>PL</p>  <p>PD</p> |  <p>PH</p> | <p>Book Shelf - Radiused - Linking - 2 Fixed Shelves Spec. StB3C90LEx - "PD,PL" - "PH" PD=12,15,18 PL=12,15,18 PH = 52"</p> |